

Product Overview

A complete level access shower tray with unique and patented integrated edging for quick and easy installation

Features

- + A 27mm floor recess is all that's needed or surface mounted option (ramp available)
- + A corner waste position helps avoid joists
- + Alcove trays are supplied with cut-to-lengths kits
- + Built in tiling upstands on 2 or 3 sides complete the all-round integrity of the water seals
- + Floor tiling, wallboard adaptor, alcove adaptor and pipeduct kits are available to aid any installation
- + No under tray foaming is needed
- + Suitable for point loading from seats
- + Unique safety flooring integrated clamping strip allows for quick and watertight installations
- + Flooring can be fitted after the tray and screen has been installed avoiding unnecessary extra site visits

Benefits

- + Level showering for easy access
- + Weight limited 190kg / 30 stone
- + Watertight seals with the pioneering Intergrip® strip
- + Quick draining, with a 25mm fall inside tray
- + Unrivalled strength and stability, using compressed GRP
- + Pre-formed fixing holes ensure quick and easy installation
- + Ramp kits available for surface mounted installations
- + Excellent choice of screens, curtains and rails
- + Slip resistant textured surface
- + Ideal for level access solution where the client needs a defined showering area



Product Specification

- + Made from compressed GRP
- + Ribbed underside eliminating slippage or float during installation
- + 25mm fall
- + Pre-formed fixing holes

Guarantee & Approvals



Specifier's Guide: Mullen® Standard Length Shower trays

Height of Tray	Wood Floor	Concrete Floor	Screeded Floor	Corner Fitting	Alcove Fitting	Tray Handing	Gravity Waste	Pumped Waste
27mm	Level Access or Surface Mounted	✗	Level Access or Surface Mounted	✓	✓	Handed	✓	✓

Specifier's Guide: Mullen® Cut-to-length Shower Trays

Height of Tray	Wood Floor	Concrete Floor	Screeded Floor	Corner Fitting	Alcove Fitting	Tray Handing	Gravity Waste	Pumped Waste
27mm	Complete Level Access	✗	Complete Level Access	✗	✓	Handed or Non Handed	✓	✓

Product Codes

Mullen® 1000 x 1000 tray only	26100
Mullen® 1200 x 700 tray only (left handed)	26101L
Mullen® 1200 x 700 tray only (right handed)	26101R
Mullen® 1200 x 820 tray only (left handed)	26072L
Mullen® 1200 x 820 tray only (right handed)	26072R
Mullen® 1300 x 700 tray only (left handed)	26102L
Mullen® 1300 x 700 tray only (right handed)	26102R
Mullen® 1300 x 820 tray only (left handed)	26107L
Mullen® 1300 x 820 tray only (right handed)	26107R
Mullen® 1420 x 700 tray only (left handed)	26104L
Mullen® 1420 x 700 tray only (right handed)	26104R
Mullen® 1800 x 700 cut-to-length tray only	26108
Mullen® 1800 x 820 cut-to-length tray only	26192

Other Information

Mullen® tray kits are available with a choice of gravity or pumped wastes

**Mullen® Standard Length
1000 x 1000 + 50mm flange**

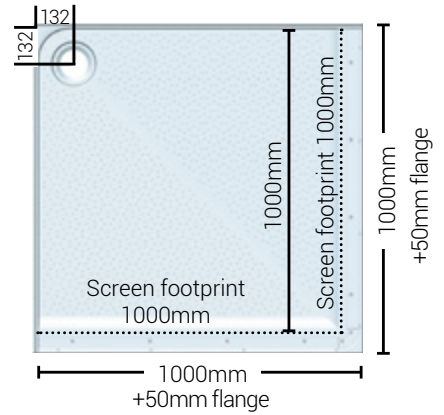
Tray only code: **26100**

Tray with Gravity Waste code: **26074**

Compatible shower screens:



Corner installations only



**Mullen® Standard Length
1200 x 700 + 50mm flange**

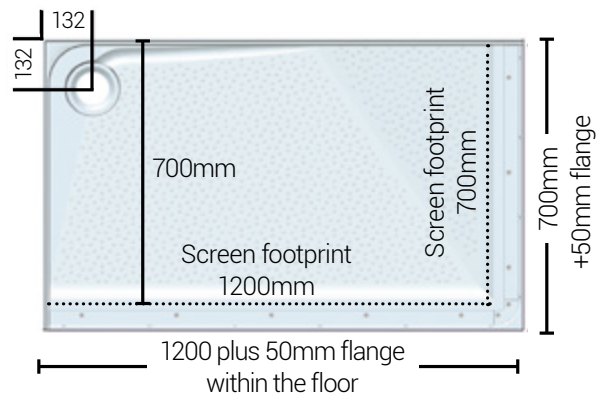
Tray only code: **26101L/R**

Tray with Gravity Waste code: **26106L/R**

Compatible shower screens:



Corner installations only

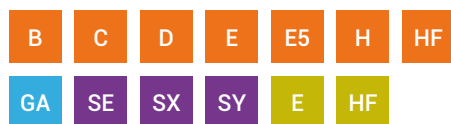


**Mullen® Standard Length
1200 x 820 + 50mm flange**

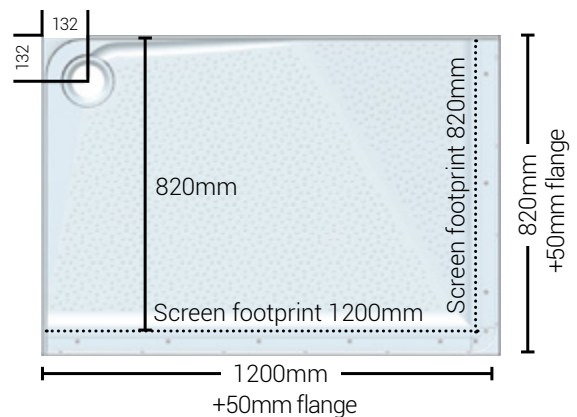
Tray only code: **26072L/R**

Tray with Gravity Waste code: **26073L/R**

Compatible shower screens:



Corner installations only



SHOWER SCREEN / SHOWER TRAY COMPATIBILITY



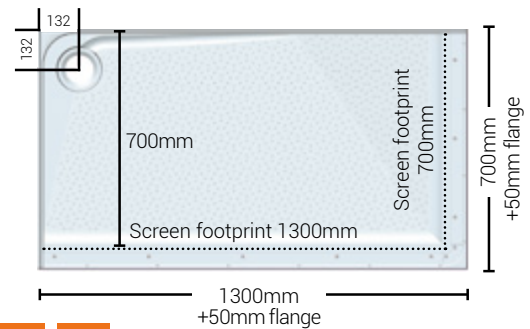
**Mullen® Standard Length
1300 x 700 + 50mm flange**

Tray only code: **26102L/R**

Tray with Gravity Waste code: **26109L/R**

Alcove adapter kit code: **26262L/26261R**

Compatible shower screens:



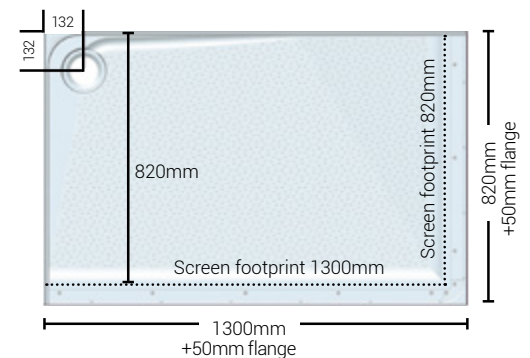
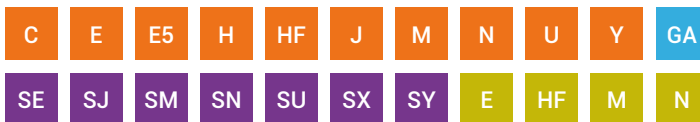
**Mullen® Standard Length
1300 x 820 + 50mm flange**

Tray only code: **26107L/R**

Tray with Gravity Waste code: **26111L/R**

Alcove adapter kit code: **26264L/26263R**

Compatible shower screens:



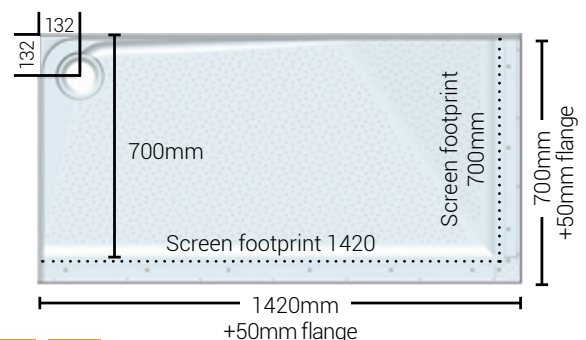
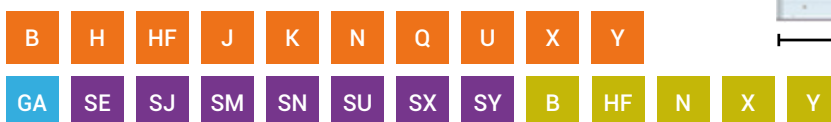
**Mullen® Standard Length
1420 x 700 + 50mm flange**

Tray only code: **26104L/R**

Tray with Gravity Waste code: **26110L/R**

Alcove adapter kit code: **26262L/26261R**

Compatible shower screens:



SHOWER SCREEN / SHOWER TRAY COMPATIBILITY



**Mullen® Cut-to-Length
1800 x 700 + 50mm flange**

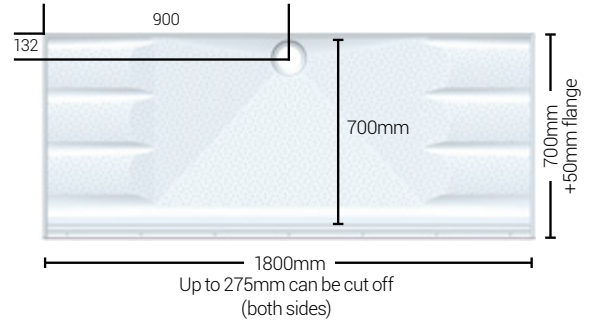
Tray only code: **26108 (Non-Handed)**

Tray with Gravity Waste code: **26110L (Non-Handed)**

Compatible shower screens:



Alcove installations only



**Mullen® Cut-to-Length
1800 x 820 + 50mm flange**

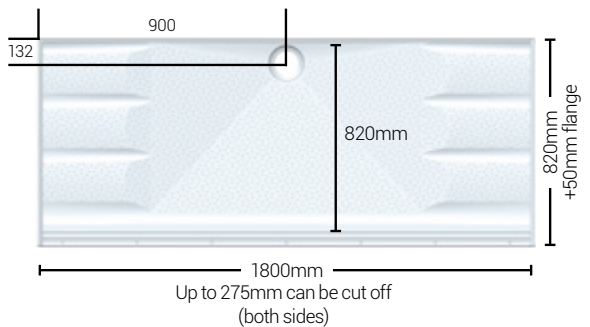
Tray only code: **26192 (Non-Handed)**

Tray with Gravity Waste code: **26193 (Non-Handed)**

Compatible shower screens:



Alcove installations only

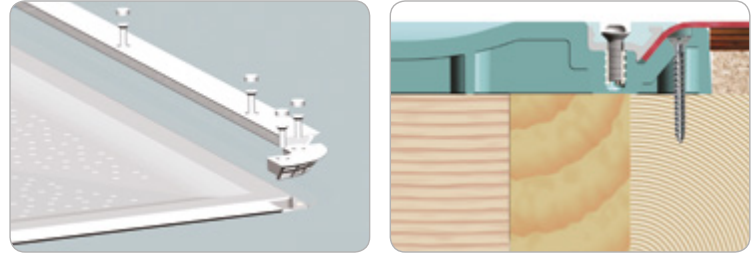


SHOWER SCREEN / SHOWER TRAY COMPATIBILITY



Clamping Strip

The key benefit of the Mullen® shower tray is its unique clamping strip (Intergrip®) which grips and seals vinyl flooring into the tray for a water tight seal. Flooring can be fitted after the tray and screen have been installed avoiding unnecessary site visits.



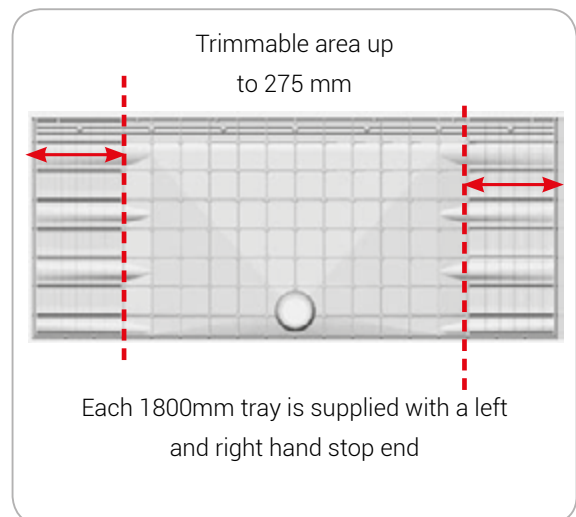
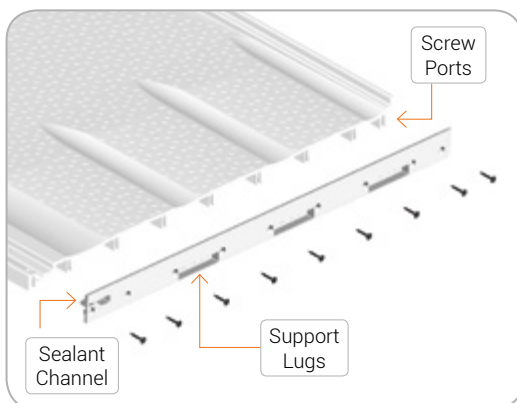
Clamping strip detail: Typically floorboards are 18mm thick. It would be necessary to lay plywood on the bathroom floor to bring the floor up to the tray height, for complete level access.

Plywood 4mm	21884
Plywood 12mm	21885
Plywood 18mm	21889
Plywood 9mm	21888

Mullen® Cut-to-Length feature

Alcove trays can be trimmed by up to 275mm on either side of the 1800mm trays.

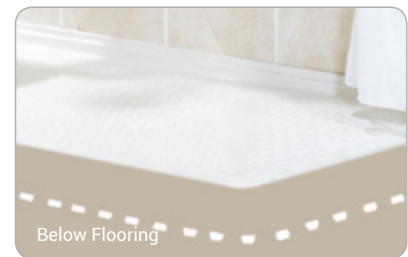
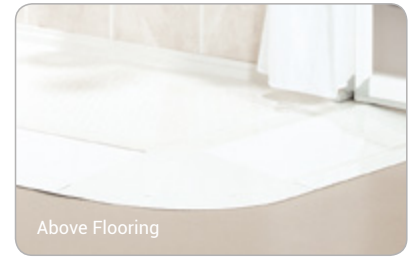
Specially designed stop ends are supplied to give a strong mechanical waterproof joint.



Mullen® Ramps

Mullen® trays can be surface mounted on screeded floors with the addition of trimmable ramp options for easy access. Ramps can be installed above or below safety flooring.

Surface Mount Ramp Universal Kit (1800 x 1000mm)	26272
Underfloor Covering Universal Ramp Kit (1800 x 1000mm)	26273



Contact AKW about safety flooring and plywood